

PRODUCT INFORMATION PACKET



Model No: 119535.00
Catalog No: 119535.00
1 HP Catfish Pond Motor, 3 phase, 1800 RPM, 460 V, 56C Frame, TEFC
Catfish Pond Motors



Regal and Leeson are trademarks of Regal Beloit Corporation or one of its affiliated companies.
©2020 Regal Beloit Corporation, All Rights Reserved. MC017097E





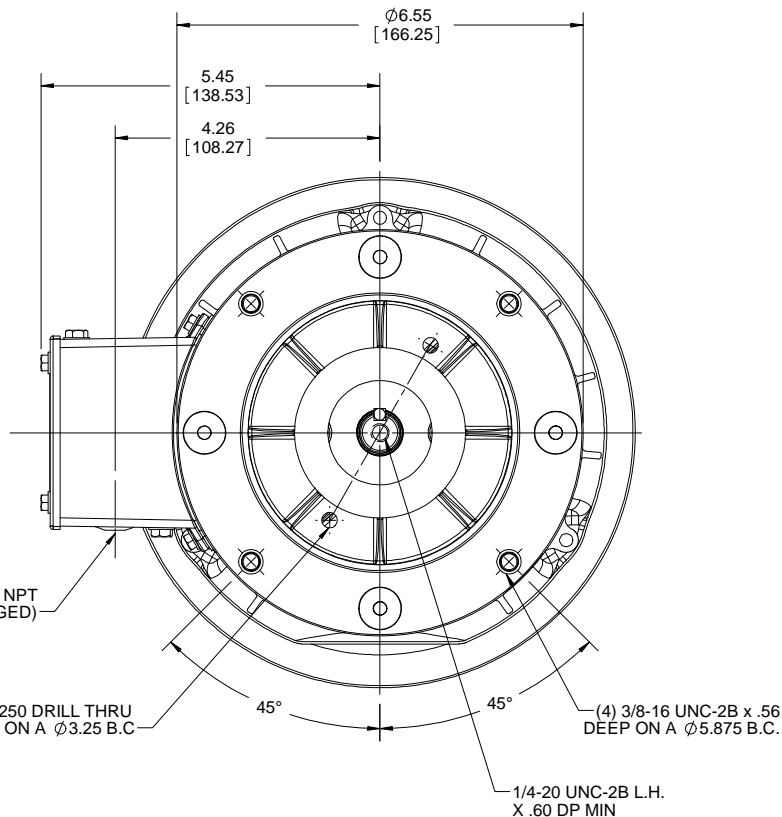
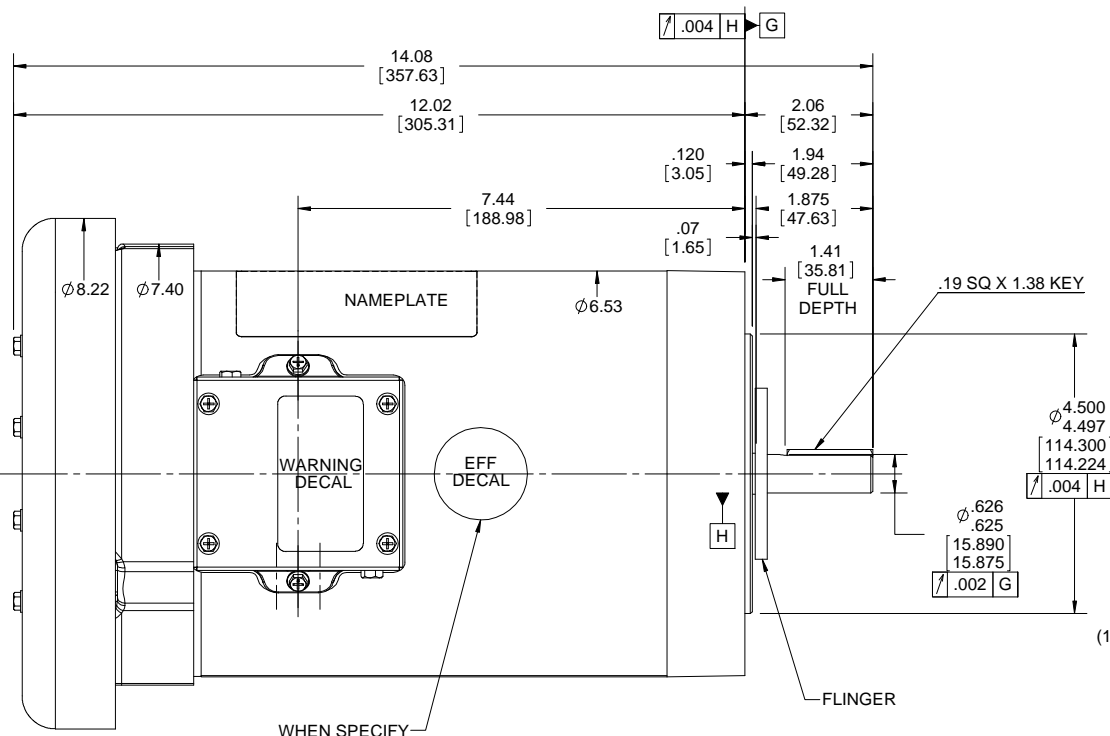
Nameplate Specifications

Output HP	1 Hp	Output KW	0.75 kW
Frequency	60 Hz	Voltage	460 V
Current	1.6 A	Speed	1725 rpm
Service Factor	1.25	Phase	3
Efficiency	85.5 %	Power Factor	71
Duty	Continuous	Insulation Class	B
Design Code	D	KVA Code	N
Frame	56C	Enclosure	Totally Enclosed Fan Cooled
Thermal Protection	Automatic	Ambient Temperature	40 °C
Drive End Bearing Size	6203	Opp Drive End Bearing Size	6203
UL	Recognized	CSA	Y
CE	N	IP Code	43

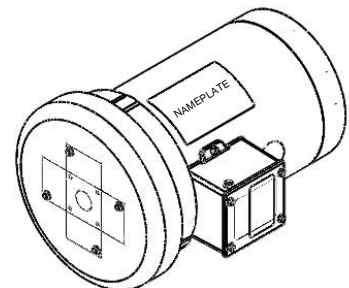
Technical Specifications

Electrical Type	Squirrel Cage Induction Run	Starting Method	Across The Line
Poles	4	Rotation	Reversible
Resistance Main	0 Ohms	Mounting	Round
Motor Orientation	Horizontal	Drive End Bearing	Ball
Opp Drive End Bearing	Ball	Frame Material	Rolled Steel
Shaft Type	NEMA 56	Overall Length	14.08 in
Frame Length	7.75 in	Shaft Diameter	0.625 in
Shaft Extension	2.06 in	Assembly/Box Mounting	F1 ONLY
Connection Drawing	005074.01	Outline Drawing	OL119535

This is an uncontrolled document once printed or downloaded and is subject to change without notice. Date Created:14/10/2020



WHEN SPECIFY



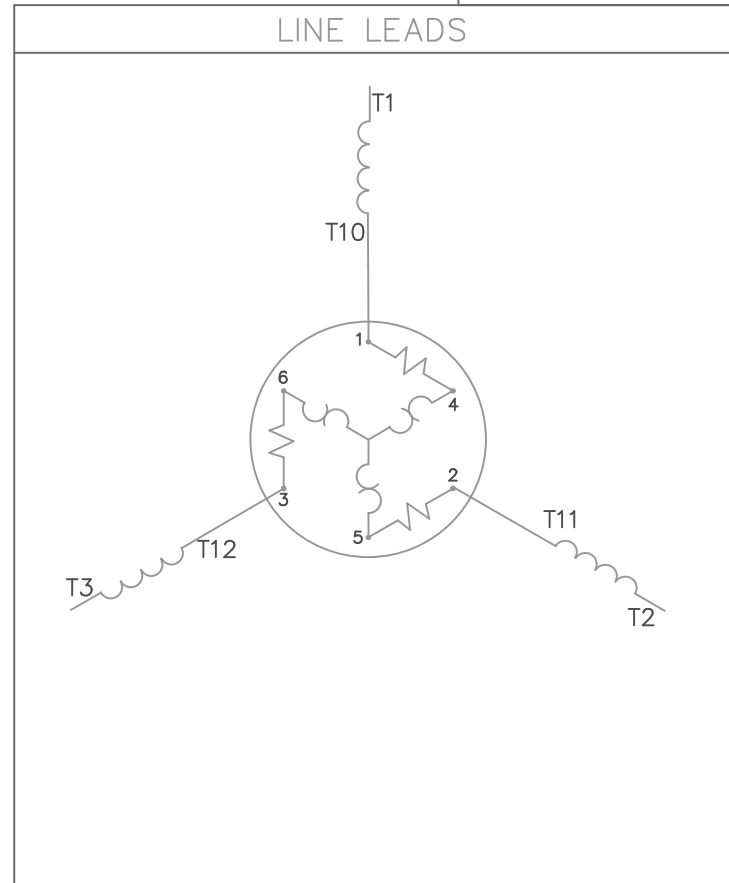
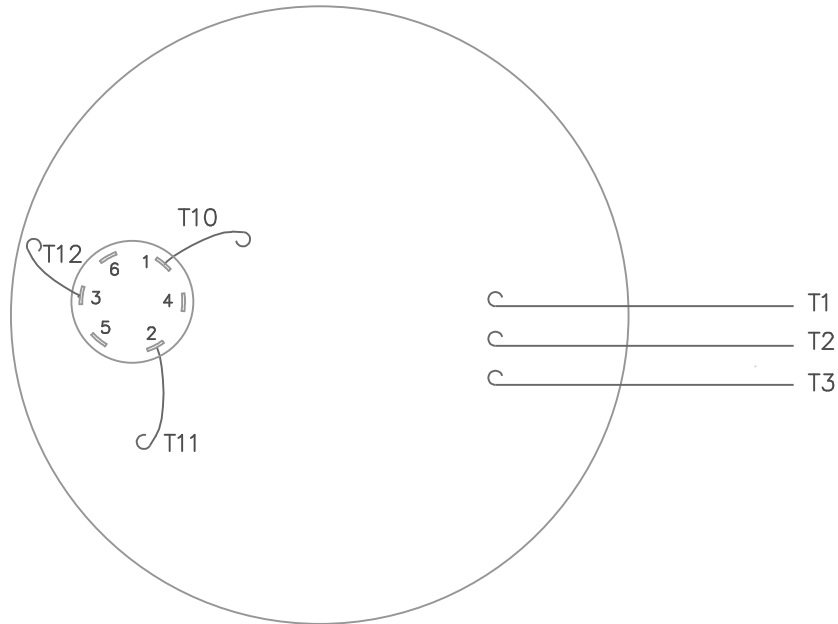
NOTES:
GASKETS THROUGHOUT

DRAWING REVISION A	REVISION BY	DATE	TOLERANCES UNLESS OTHERWISE SPECIFIED: DEC. INCH mm ANGLE -X +0.1 [+2.5] ±7-30° .XX ±0.03 [+0.76] .XXX ±0.005 [+0.127] .XXXX ±0.0005 [+0.0127]
ECO-0127075	APPROVED BY	DATE	REMOVE BURRS & BREAK SHARP EDGES: .003/.015 [.076/.381] X 45° CORNER FILLETS: R.02 [.51]
ECO DESCRIPTION NEW DRAWING			MACHINED SURFACES: 200 5.1 INCH mm
<small>COPYRIGHT REGAL BELOIT AMERICA, INC. ALL RIGHTS RESERVED. PROPRIETARY AND CONFIDENTIAL INFORMATION - THIS DOCUMENT IS THE PROPERTY OF REGAL BELOIT AMERICA, INC. ("OWNER") AND CONTAINS OWNER'S PROPRIETARY INFORMATION. ANY PERSON, CORPORATION OR OTHER FIRM RECEIVING IT IS DEEMED, BY RECEIVING IT, TO AGREE THAT IT, AND/OR ANY PART OF IT, SHALL NOT BE DISCLOSED TO ANY PERSON, CORPORATION OR OTHER ENTITY, DUPLICATED, AND/OR USED, EXCEPT AS EXPRESSLY APPROVED IN WRITING IN ADVANCE BY OWNER. THIS DOCUMENT SHALL BE RETURNED TO OWNER UPON REQUEST. IT MAY BE SUBJECT TO CERTAIN RESTRICTIONS UNDER APPLICABLE EXPORT CONTROL LAWS AND REGULATIONS.</small>			

DRAWN BY AS	DATE 07/11/2017
APPROVED BY JD	DATE 07/11/2017
REFERENCE 028922	THIRD ANGLE PROJECTION

Regal Beloit America, Inc.	
DESCRIPTION OUTLINE IRRIGATION MOTOR	
MATERIAL	PROCESS/FINISH
SIZE B	DRAWING NUMBER OL119535
SHEET 1 OF 1	

VIEW FROM OUTSIDE OF MOTOR AT SWITCH END.



L1	L2	L3
T1	T2	T3

				TOLERANCES UNLESS OTHERWISE SPECIFIED		LEESON ELECTRIC CORPORATION						
				DECIMALS								
				.00	± .01	DRAWN JRW 03/21/75	TITLE EXTERNAL WIRING DIAGRAM					
				.000	± .005	CH'K'D. TEM 03/26/75	TYPE "T" W/PROTECTOR					
9	REDRAWN TO CURRENT STANDARDS	DBT	06/03/97	.0000	± .0005	APPR. JCW 02/15/77	MAT'L. DECAL - 004169					
NO.	REVISION	BY	DATE	FRACTIONS	± 1/64	SCALE 1=1	BRF					
THIS DRAWING IN DESIGN AND DETAIL IS OUR PROPERTY AND MUST NOT BE USED EXCEPT IN CONNECTION WITH OUR WORK ALL RIGHTS OF DESIGN AND INVENTION ARE RESERVED						REF.				FINISH	SIZE A	DRAWING NO. 005074-01
						FMF W-T5529						